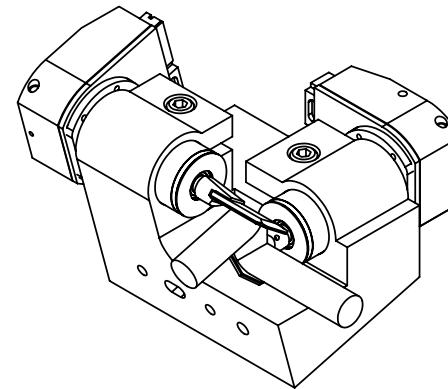
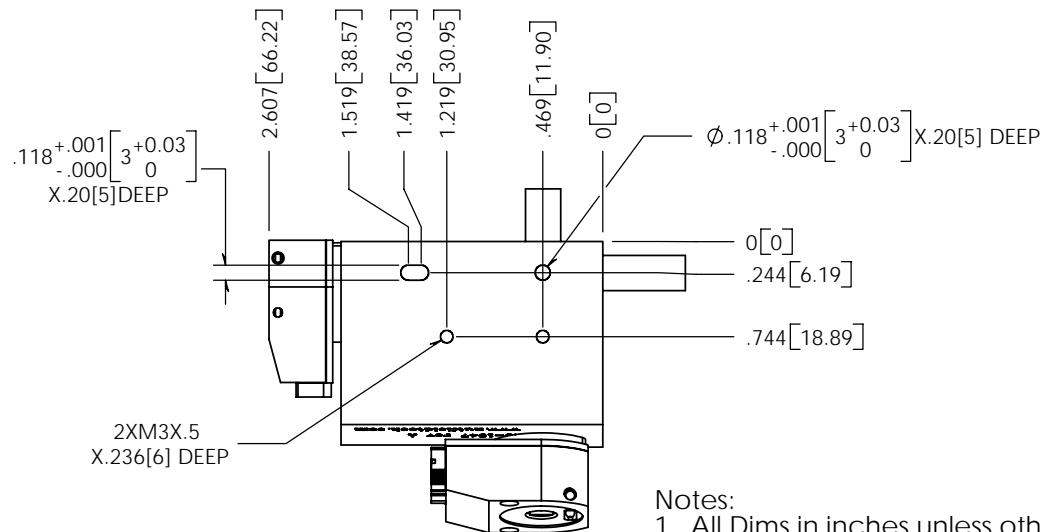
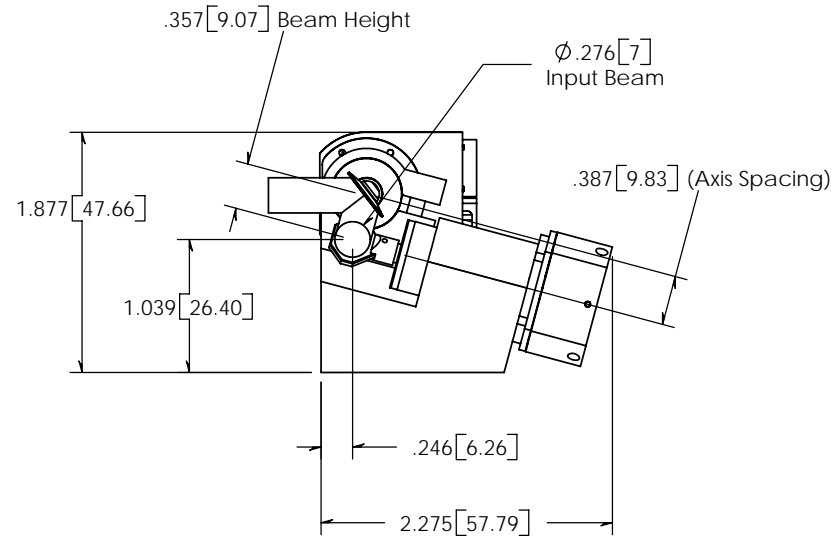
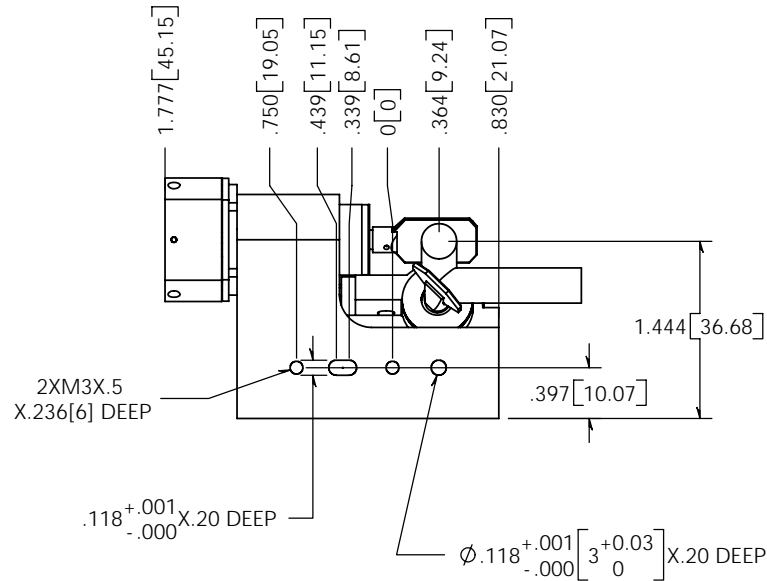


NOTICE - PROPRIETARY INFORMATION
 THE DESIGN AND RELATED INFORMATION CONTAINED HEREIN IS THE SOLE PROPERTY OF NUTFIELD TECHNOLOGY, INC. THE DISCLOSURE OF THIS INFORMATION DOES NOT CONSTITUTE THE RELEASE OF ANY PROPRIETARY RIGHTS THEREIN. PERMISSION TO REPRODUCE THIS INFORMATION OR THE PRODUCTS DISCLOSED HEREIN MUST BE OBTAINED IN WRITING FROM NUTFIELD TECHNOLOGY, INC.

REVISIONS			
REV	DESCRIPTION	APP	DATE
1	Initial Release	wad	3/3/04



- Notes:
1. All Dims in inches unless otherwise noted.
 2. FOV: 40° Optical X & Y Nominal.
 3. This drawing is appropriate for all wavelengths.

NUTFIELD TECHNOLOGY, INC.
 49 RANGE ROAD, WINDHAM, NH 03087
 TEL: 603.893.6200 FAX: 603.893.6214

TITLE					
Outline Drawing OFH 7mm QS-7					
SIZE	SHEET	DRAWN	DATE	DWG NO.	REV
A	1 OF 1	BY b.d.	2/1/04	82-2049	1