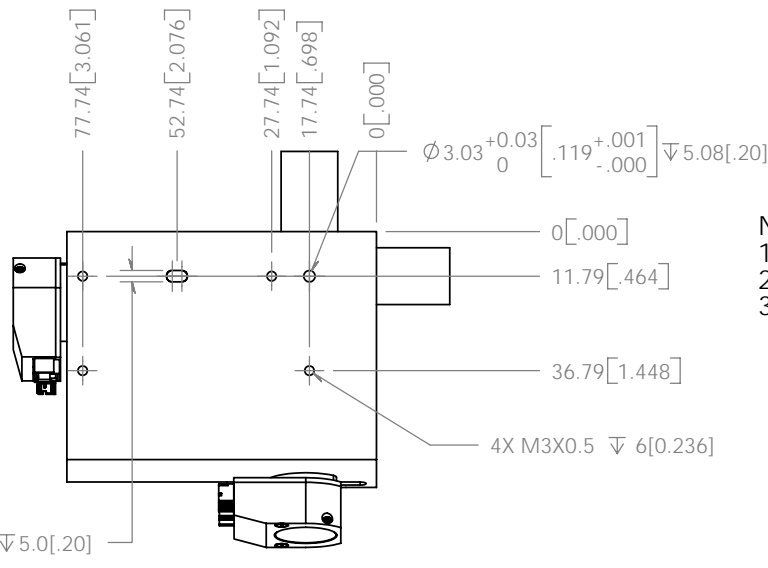
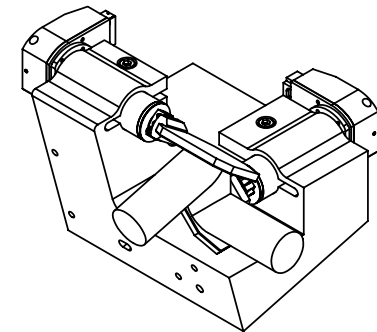
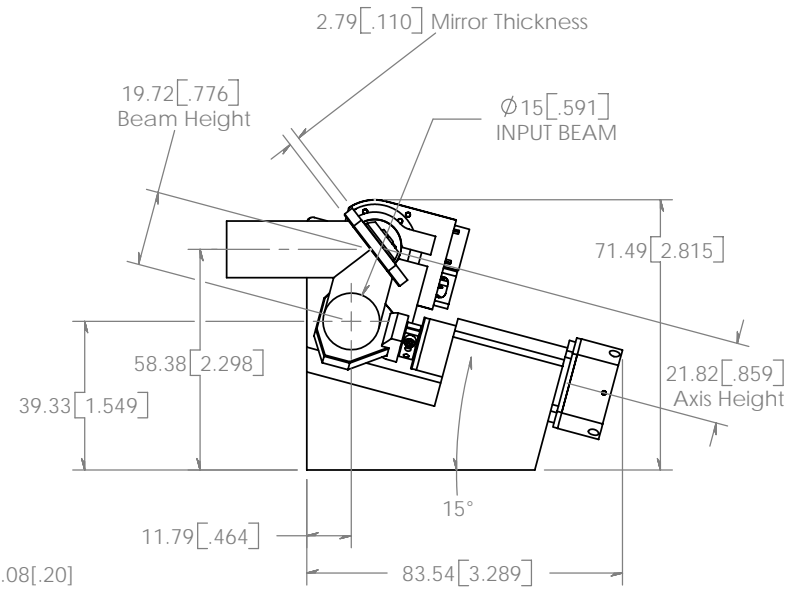
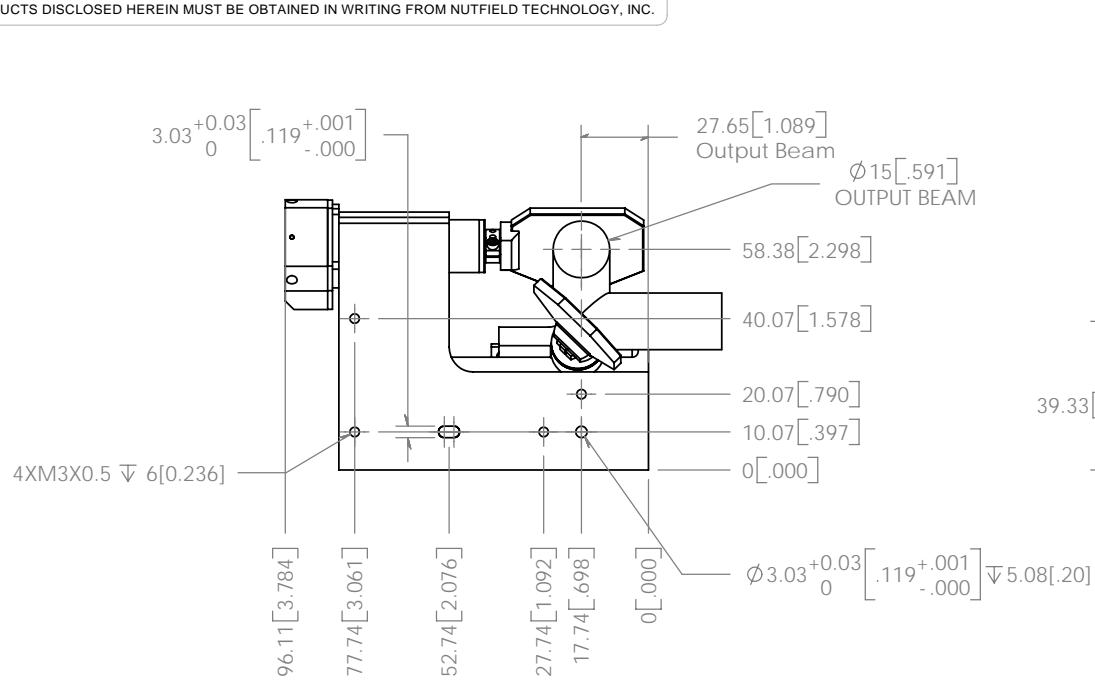


NOTICE - PROPRIETARY INFORMATION  
 THE DESIGN AND RELATED INFORMATION CONTAINED HEREIN IS THE SOLE PROPERTY OF NUTFIELD TECHNOLOGY, INC. THE DISCLOSURE OF THIS INFORMATION DOES NOT CONSTITUTE THE RELEASE OF ANY PROPRIETARY RIGHTS THEREIN. PERMISSION TO REPRODUCE THIS INFORMATION OR THE PRODUCTS DISCLOSED HEREIN MUST BE OBTAINED IN WRITING FROM NUTFIELD TECHNOLOGY, INC.



Notes:

1. All Dims in inches unless otherwise noted.
2. FOV: 40° Optical X & Y Nominal.
3. Drawing is appropriate for all non-CO2 wavelengths.

NUTFIELD TECHNOLOGY, INC.  
 49 RANGE ROAD, WINDHAM, NH 03087  
 TEL: 603.893.6200 FAX: 603.893.6214

TITLE					
<b>OFH-15, QS-10</b>					
<b>15mm Open Frame Head</b>					
SIZE	SHEET	DRAWN BY	DATE	DRAWING NUMBER	REV
A	1 OF 1	b.d.	21/July/05	82-0130	A