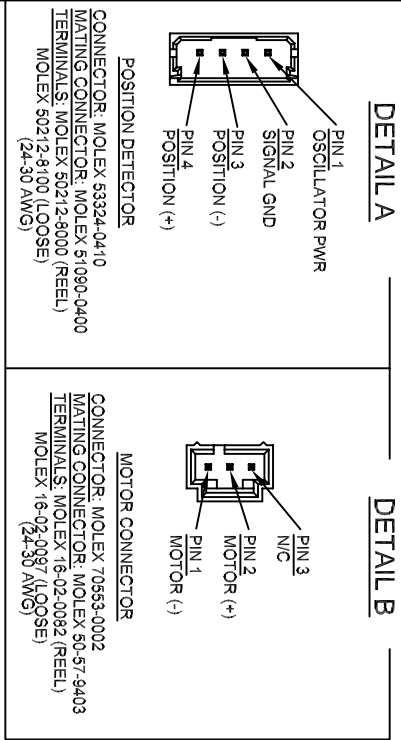


NOTICE - PROPRIETARY INFORMATION
 THE DESIGN AND RELATED INFORMATION CONTAINED HEREIN IS THE SOLE PROPERTY OF NUTFIELD TECHNOLOGY, INC. THE DISCLOSURE OF THIS INFORMATION DOES NOT CONSTITUTE THE RELEASE OF ANY PROPRIETARY RIGHTS THEREIN. PERMISSION TO REPRODUCE THIS INFORMATION OR THE PRODUCT'S DISCLOSED HEREIN MUST BE OBTAINED IN WRITING FROM NUTFIELD TECHNOLOGY, INC.

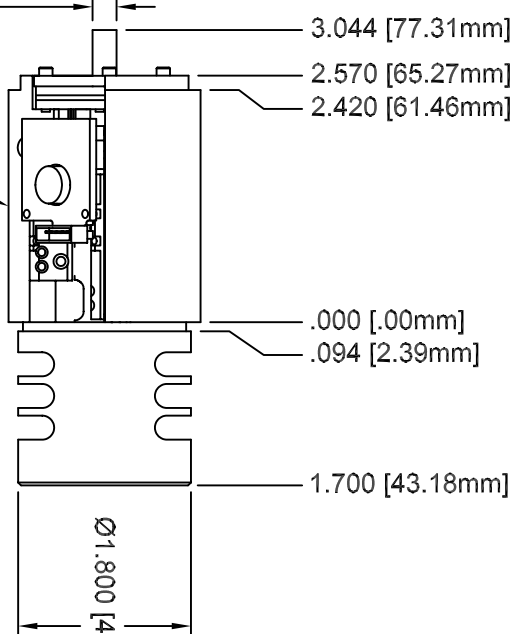


CONNECTOR: MOLEX 59324-04-10
 MATING CONNECTOR: MOLEX 57090-04-00
 TERMINALS: MOLEX 50212-8000 (REEL)
 MOLEX 50212-8100 (LOOSE)
 (24-30 AWG)

CONNECTOR: MOLEX 70553-0002
 MATING CONNECTOR: MOLEX 50-57-9403
 TERMINALS: MOLEX 16-02-0092 (REEL)
 MOLEX 16-02-0097 (LOOSE)
 (24-30 AWG)

$\varnothing 2.500^{+.0000}_{-.0005}$ [6.350mm $^{+0.0000mm}_{-0.013mm}$]

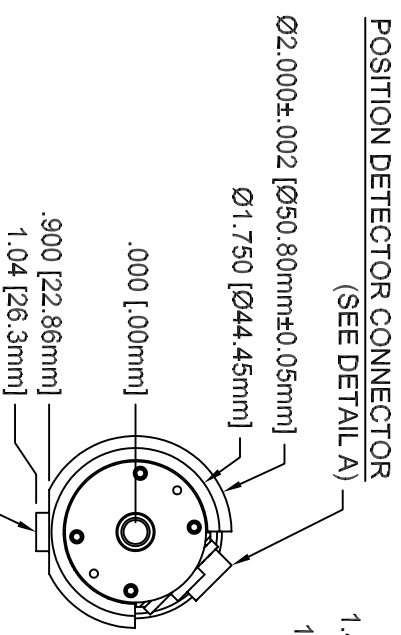
DO NOT CLAMP BODY OF SCANNER. SEE NOTE.



CLAMP IS NOTCHED FOR DRIVE CONNECTOR

3X $\varnothing 1.194$ [49.93mm] CLEARANCE HOLES FOR #10 SCREWS
 $\varnothing 1.900$ [48.26mm] STATOR CLEARANCE IN CLAMP

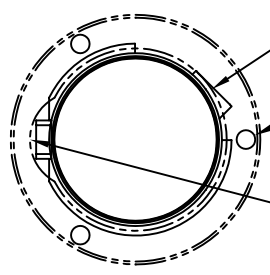
1.470 [37.34mm]
 1.350 [34.29mm]
 .820 [20.83mm]
 .750 [19.05mm]



POSITION DETECTOR CONNECTOR (SEE DETAIL A)

DRIVE CONNECTOR (SEE DETAIL B)

$\varnothing 2.001^{+.001}$ [50.83mm $^{+0.03mm}$]
 BOTH PARTS
 $\varnothing 1.760$ [44.70mm] CLEARANCE



CLAMP, THETA; P/N 10-1049 MAY BE PURCHASED SEPARATELY

SUGGESTED MOUNT CONFIGURATION

NOTE:
 SCANNER MUST BE CLAMPED AXIALLY AS SHOWN ABOVE. DO NOT SQUEEZE BODY OF SCANNER. DAMAGE MAY RESULT.

TITLE					NUTFIELD TECHNOLOGY, INC.				
49 RANGE ROAD, WINDHAM, NH 03087					TEL: 603.893.6200 FAX: 603.893.6214				
OUTLINE					SilkScan-30				
SIZE	SHEET	DRAWN BY	DATE	DWG. NO.	REV	REV	REV	REV	REV
A	1 OF 1	CB	05/17/02	82-0008	A				