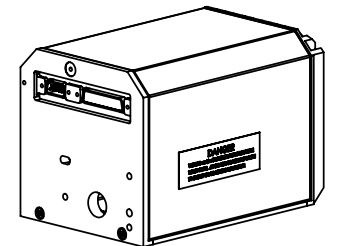
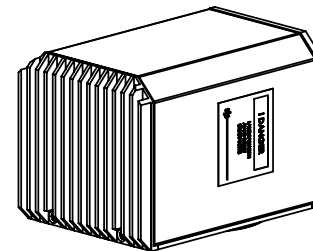
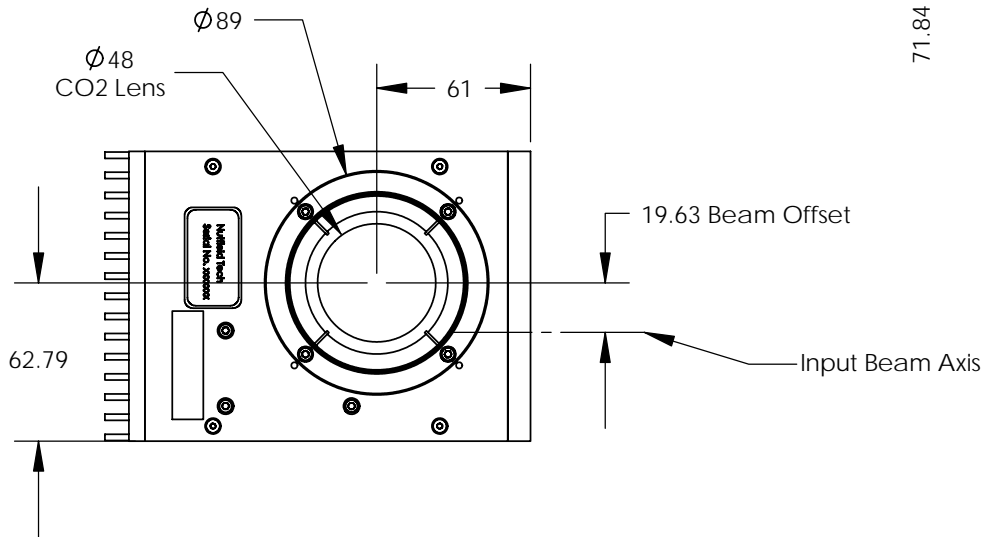
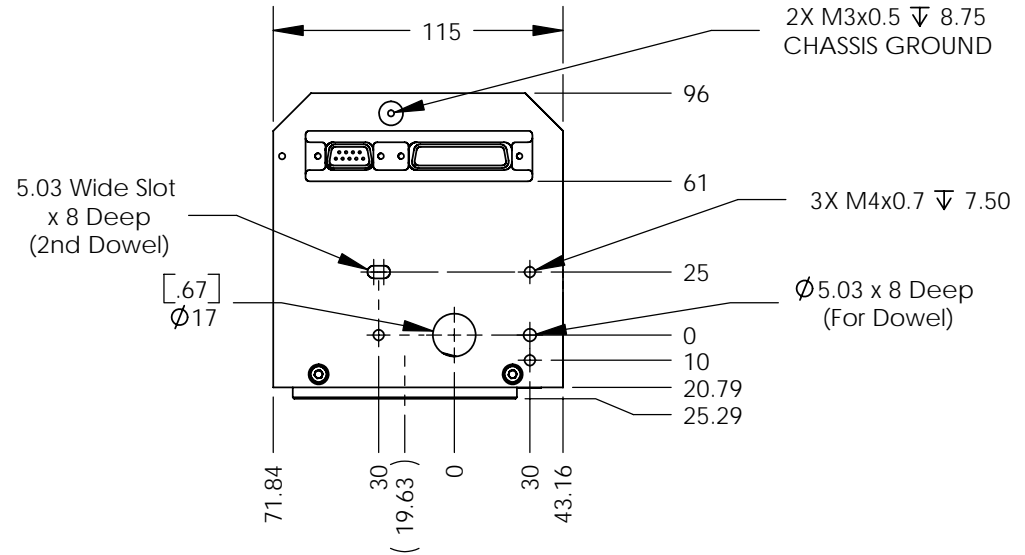
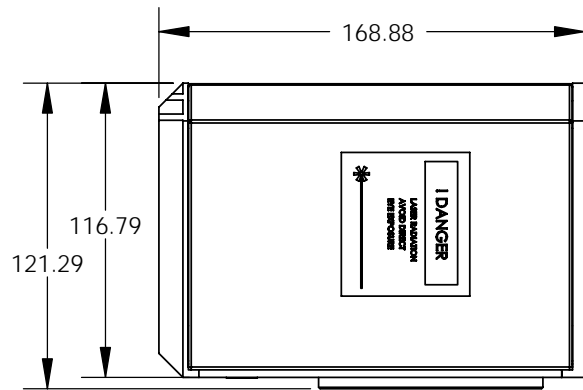


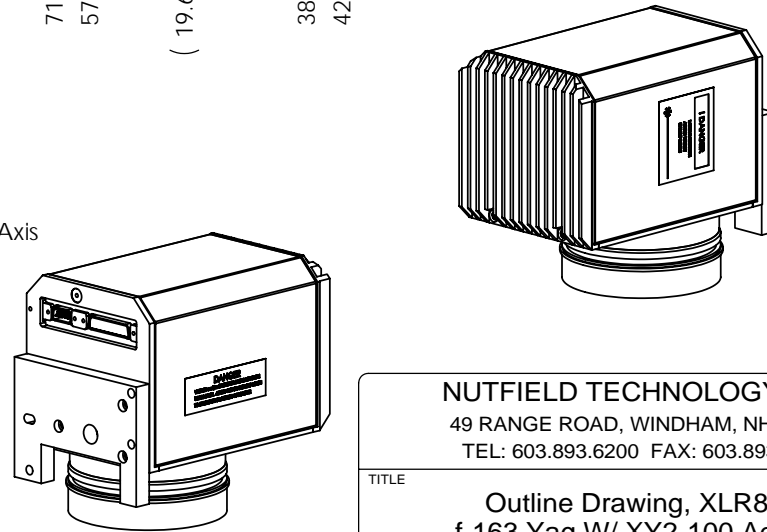
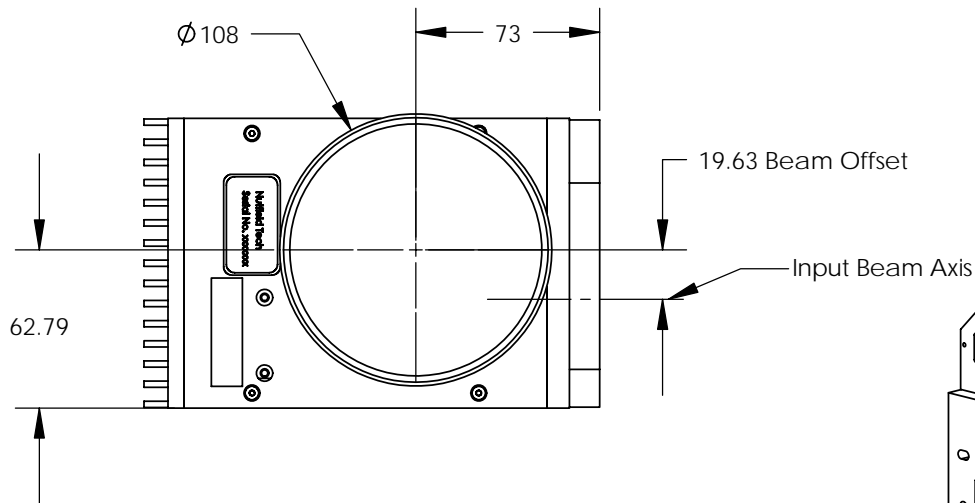
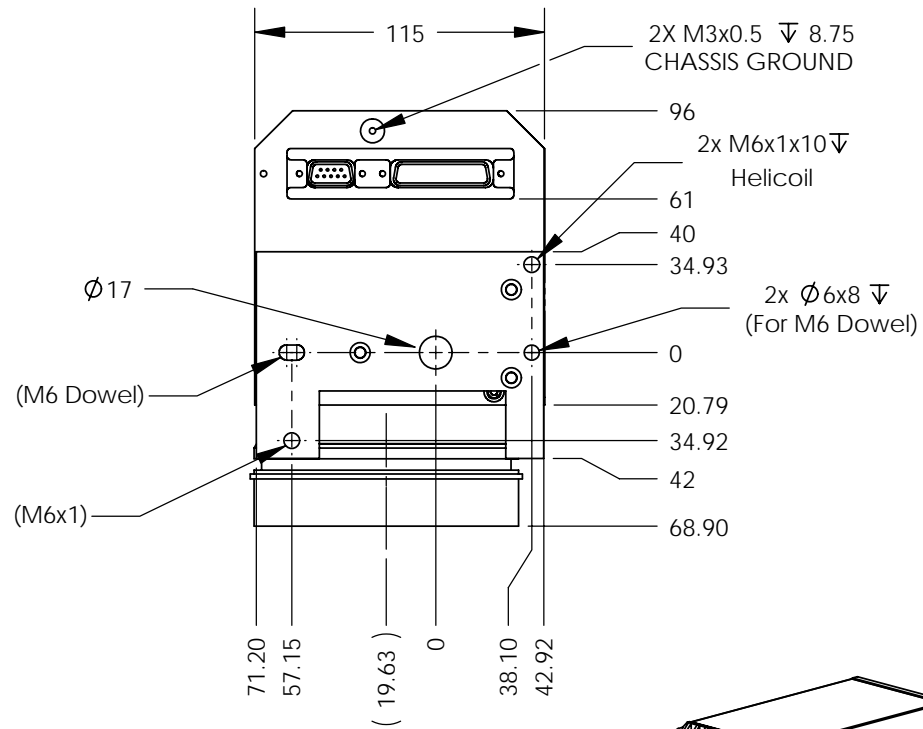
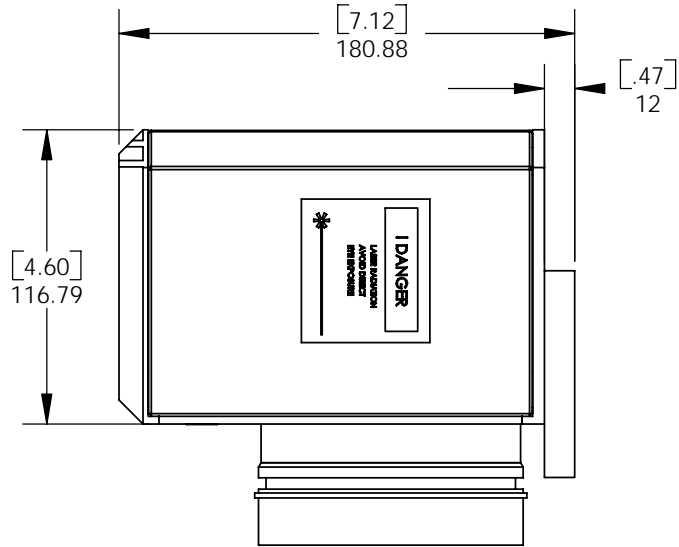
NOTICE - PROPRIETARY INFORMATION
 THE DESIGN AND RELATED INFORMATION CONTAINED HEREIN IS THE SOLE PROPERTY OF NUTFIELD TECHNOLOGY, INC. THE DISCLOSURE OF THIS INFORMATION DOES NOT CONSTITUTE THE RELEASE OF ANY PROPRIETARY RIGHTS THEREIN. PERMISSION TO REPRODUCE THIS INFORMATION OR THE PRODUCTS DISCLOSED HEREIN MUST BE OBTAINED IN WRITING FROM NUTFIELD TECHNOLOGY, INC.



NUTFIELD TECHNOLOGY, INC.					
49 RANGE ROAD, WINDHAM, NH 03087					
TEL: 603.893.6200 FAX: 603.893.6214					
TITLE					
Outline Drawing, XLR8-15 CO2 Configuration					
SIZE	SHEET	DRAWN BY	DATE	DRAWING NUMBER	REV
A	1 OF 2	b.d.	15/Sept/05	82-0132	2

ALL DIMENSIONS ARE IN mm[in]

NOTICE - PROPRIETARY INFORMATION
 THE DESIGN AND RELATED INFORMATION CONTAINED HEREIN IS THE SOLE PROPERTY OF NUTFIELD TECHNOLOGY, INC. THE DISCLOSURE OF THIS INFORMATION DOES NOT CONSTITUTE THE RELEASE OF ANY PROPRIETARY RIGHTS THEREIN. PERMISSION TO REPRODUCE THIS INFORMATION OR THE PRODUCTS DISCLOSED HEREIN MUST BE OBTAINED IN WRITING FROM NUTFIELD TECHNOLOGY, INC.



ALL DIMENSIONS ARE IN mm[in]

NUTFIELD TECHNOLOGY, INC.					
49 RANGE ROAD, WINDHAM, NH 03087					
TEL: 603.893.6200 FAX: 603.893.6214					
TITLE					
Outline Drawing, XLR8-15					
f-163 Yag W/ XY2-100 Adapter					
SIZE	SHEET	DRAWN BY	DATE	DRAWING NUMBER	REV
A	2 OF 2	b.d.	15/Sept/05	82-0132	2