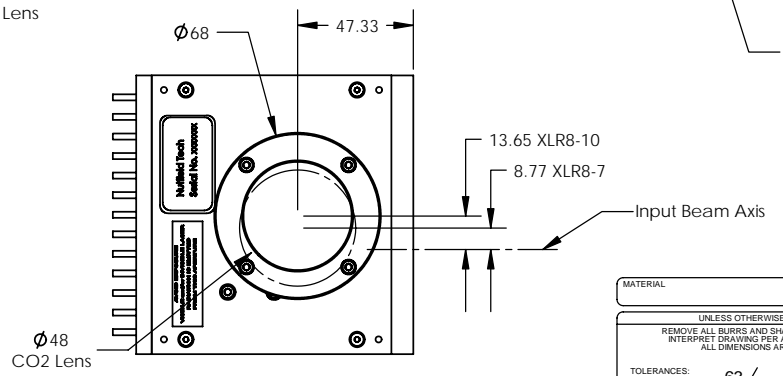
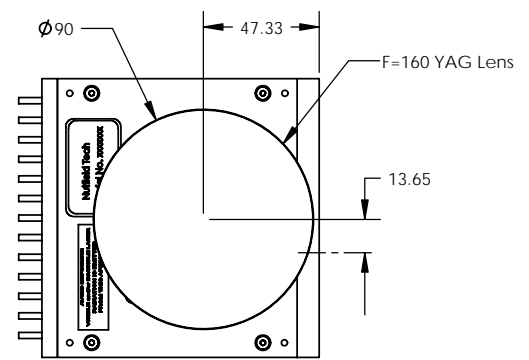
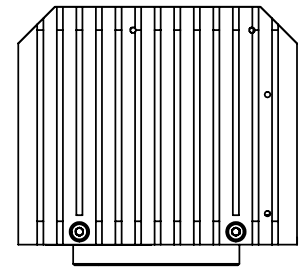
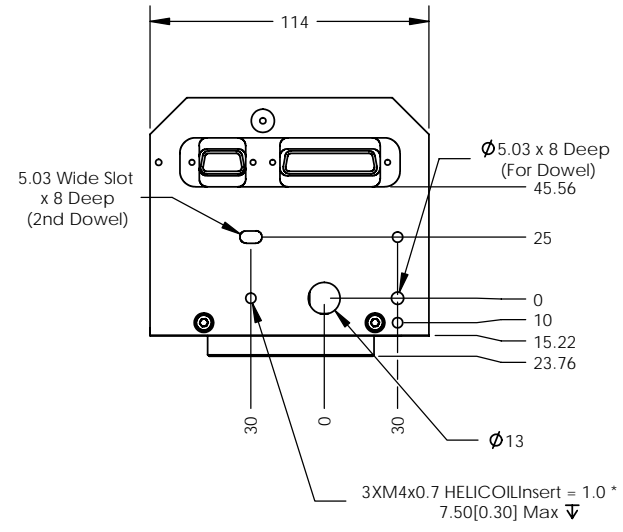
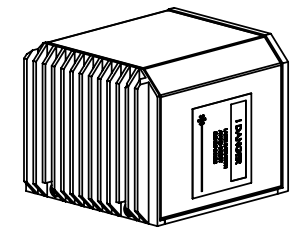
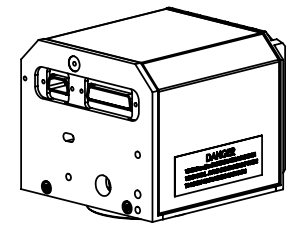
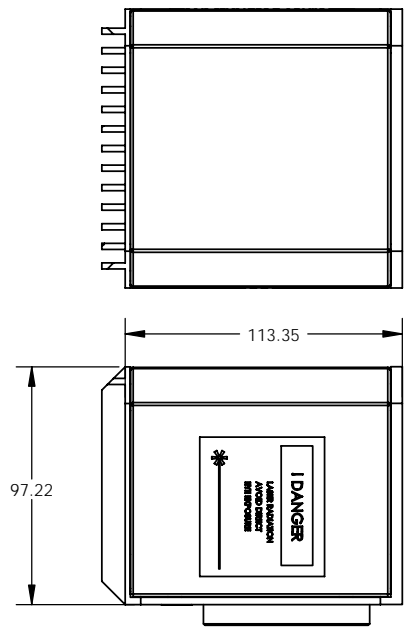
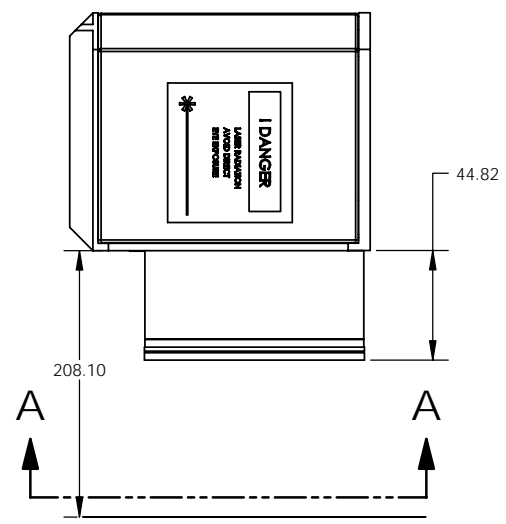


NOTICE - PROPRIETARY INFORMATION
 THE DESIGN AND RELATED INFORMATION CONTAINED HEREIN IS THE SOLE PROPERTY OF NUTFIELD TECHNOLOGY, INC. THE DISCLOSURE OF THIS INFORMATION DOES NOT CONSTITUTE THE RELEASE OF ANY PROPRIETARY RIGHTS THEREIN. PERMISSION TO REPRODUCE THIS INFORMATION OR THE PRODUCTS DISCLOSED HEREIN MUST BE OBTAINED IN WRITING FROM NUTFIELD TECHNOLOGY, INC.

REVISIONS			
REV	DESCRIPTION	DATE	BY
2	Updated Cover and Mounting Interface	08/02/04	b.d. wad

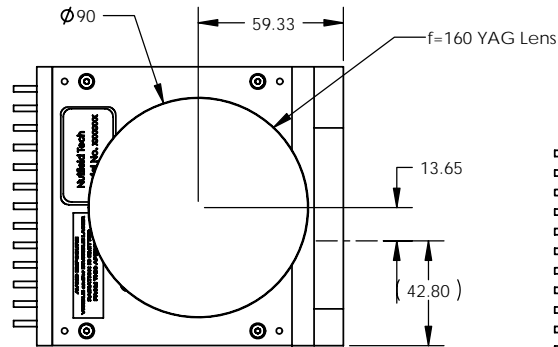
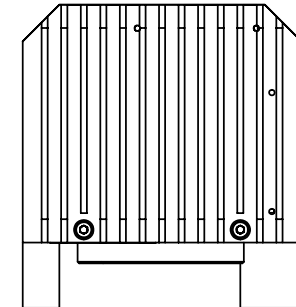
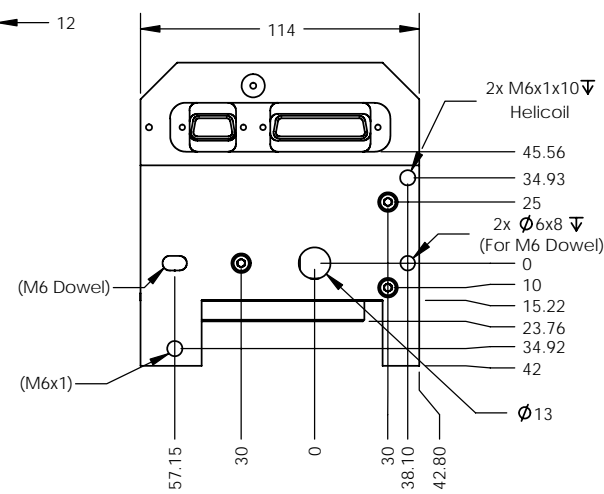
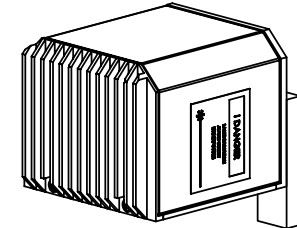
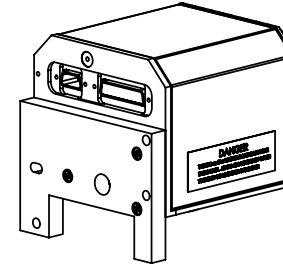
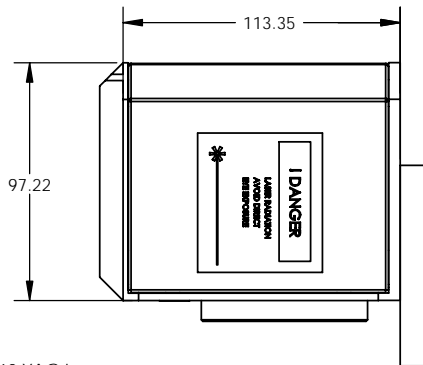
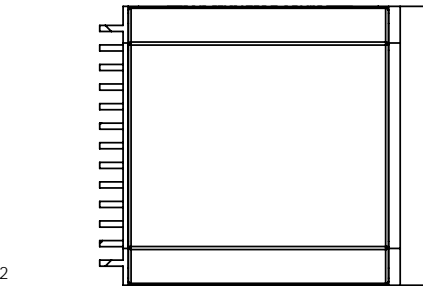
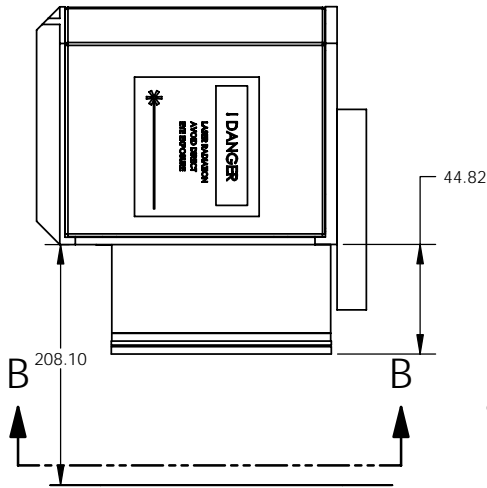


MATERIAL	TREATMENT	SIGNATURES
UNLESS OTHERWISE SPECIFIED: REMOVE ALL BURRS AND SHARP EDGES (25 MAX) INTERPRET DRAWING PER ANSI Y14.5M SPECS. ALL DIMENSIONS ARE IN mm [in]		DRAWN BY b.d.
TOLERANCES: X = ±.25 XX = ±.13 XXX = ±.025 ANGLES = 40°/50°	63 MACHINE FINISH	ENGINEER wad
THIRD ANGLE PROJECTION	DATE 07/15/04	

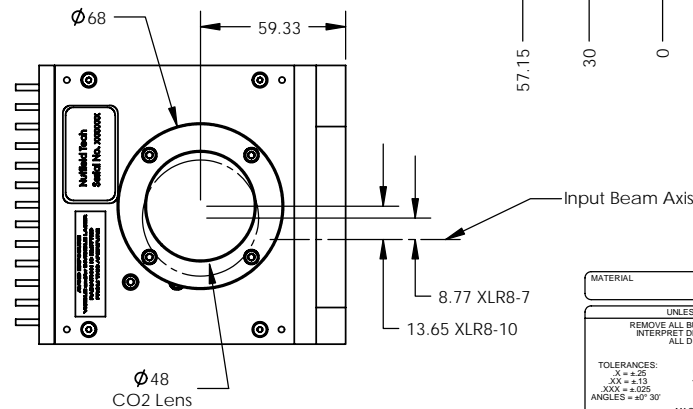
NUTFIELD TECHNOLOGY, INC. 49 RANGE ROAD, WINDHAM, NH 03087 TEL: 603.893.6200 FAX: 603.893.6214			
TITLE Outline Drawing, XLR8 7 & 10mm			
SIZE B	SHEET 1 OF 2	SCALE 1:2	DWG NO. 82-0046
			REV 2

NOTICE - PROPRIETARY INFORMATION
 THE DESIGN AND RELATED INFORMATION CONTAINED HEREIN IS THE SOLE PROPERTY OF NUTFIELD TECHNOLOGY, INC. THE DISCLOSURE OF THIS INFORMATION DOES NOT CONSTITUTE THE RELEASE OF ANY PROPRIETARY RIGHTS THEREIN. PERMISSION TO REPRODUCE THIS INFORMATION OR THE PRODUCTS DISCLOSED HEREIN MUST BE OBTAINED IN WRITING FROM NUTFIELD TECHNOLOGY, INC.

REVISIONS			
REV	DESCRIPTION	DATE	BY
2	Updated Cover and Mounting Interface	08/02/04	b.d. wad



SECTION B-B



SECTION A-A

MATERIAL	TREATMENT	SIGNATURES
UNLESS OTHERWISE SPECIFIED: REMOVE ALL BURRS AND SHARP EDGES (25 MAX) INTERPRET DRAWING PER ANSI Y14.5M SPECS. ALL DIMENSIONS ARE IN mm [in]		DRAWN BY b.d.
TOLERANCES: X = ±.25 XX = ±.13 XXX = ±.025 ANGLES = 45°/90°		ENGINEER wad
63	THIRD ANGLE PROJECTION	DATE 07/15/04

NUTFIELD TECHNOLOGY, INC. 49 RANGE ROAD, WINDHAM, NH 03087 TEL: 603.893.6200 FAX: 603.893.6214			
TITLE OUTLINE DRAWING, XLR8 7& 10MM With XY2-100 STD I/F Adapter			
SIZE B	SHEET 2 OF 2	SCALE 1:2	DWG NO. 82-0046
			REV 2