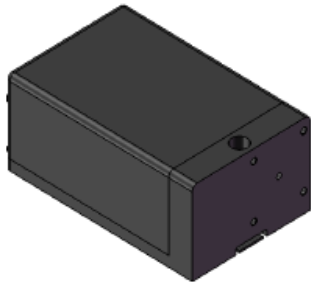


Fiber coupling options for all laser models;
multimode, single mode and polarisation maintaining fiber coupling

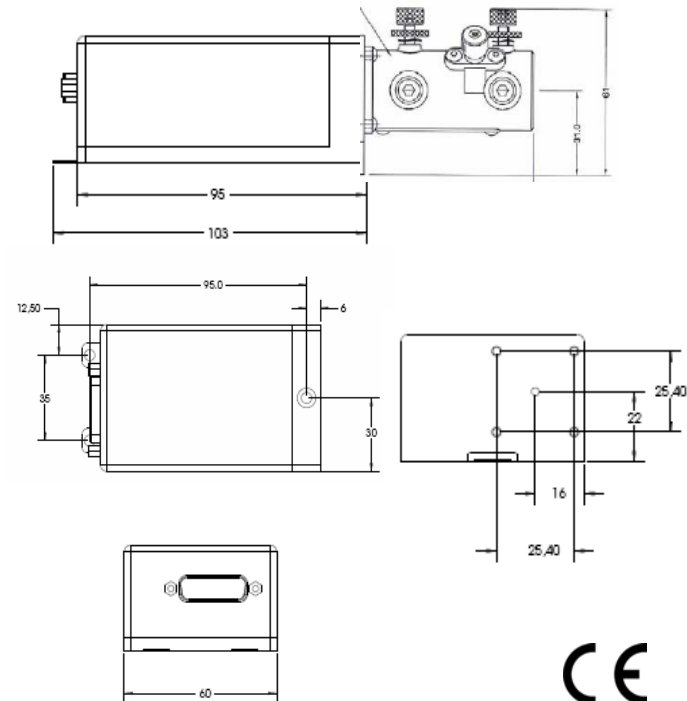
Fiber coupling options are available for all visible Cobolt lasers. This option consists of a laser housing especially designed to mount the fiber coupler onto. Fiber coupling options for either multimode fiber (MM) or singlemode polarization maintaining (SM/PM) fiber are available. For MM fiber coupling we offer a receptacle style coupler (with angled FC/PC connector) and MM fiber from Oz Optics. For singlemode PM fiber coupling we offer pre-aligned solutions from Point Source. The output is either collimated to 0.7mm beam diameter or with an AFC connector. For other options please contact the factory.



Specifications

	SM/PM	MM
Fiber core size	3.5 μ m	100 μ m
Coupling efficiency	>60 %	> 80 %
Output beam diameter	0.7 \pm 0.05 mm	
Dimensions Point Source coupler [mm]	167 x 60 x 40	
Mounting screws for coupler & laser base	M3	
Suitable for use with laser models 473nm–594nm	Cobolt Blues™ Cobolt Samba™ Cobolt Jive™ Cobolt Fandango™ Cobolt Mambo™	

Dimensions



Issued 2008-07-22. Subject to change without notice.