

# Cobolt Dual Calypso™

DATA SHEET

491 + 532 nm DPSSL, single longitudinal mode (SLM) up to 50 mW + 50 mW CW

## Specifications

The Cobolt Dual Calypso™ is a continuous-wave diode-pumped solid state laser operating at a fixed wavelength of 491 nm and 532 nm and built using proprietary HTCure™ manufacturing technology. The laser has a compact hermetically sealed package and emits a high-quality laser beam with stable characteristics over a wide range of operating conditions. The laser is designed and manufactured to ensure a high level of reliability.

The Cobolt Dual Calypso™ laser is intended for stand-alone use in laboratory environment or for integration as OEM component.

The combination of high output power, a wavelength matching the Ar-ion laser and low power consumption makes the Cobolt Dual Calypso™ ideal for use in demanding bio-analytical applications such as flow cytometry, laser scanning cytometry, DNA sequencing and confocal microscopy.

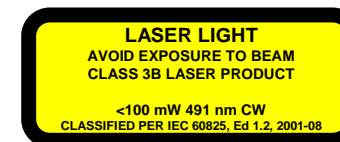
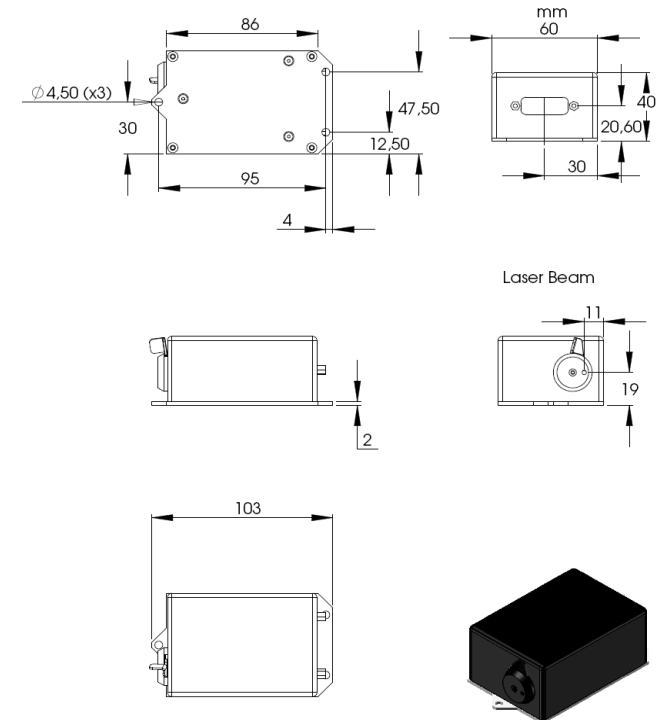


Wavelength	491 + 532 nm
Output power	20, 50 mW in both lines
Spectral linewidth	<30 MHz (<0.03 pm)
Spatial mode	TEM00, M <sup>2</sup> <1.1
Beam diameter at aperture	700 μm
Beam divergence (full angle)	<1.2 mrad
Noise, 10 Hz - 2 MHz (pk-pk)	<3% 491 nm <5% 532 nm
Noise, 10 Hz - 2 MHz (rms)	<0.3% 491 nm <0.5% 532 nm
Long-term stability (8 h)	<3%
Beam pointing stability (over 10-40 °C)	<10 μrad/°C
Polarization ratio	>100:1
Total system power consumption	<25 W, typical <15 W
Operating temperature	10-40°C
Laser head dimensions [mm]	95 x 60 x 40
Laser head dimensions [inches]	3.8 x 2.4 x 1.6
Controller (OEM/CDRH) dimensions [mm]	190 x 72 x 28
Controller (OEM/CDRH) dimensions [inches]	7.6 x 2.9 x 1.1
Model number	0491D-04-01-0pwr-300 CDRH 0491D-04-01-0pwr-400 OEM

## Options & Accessories

- Laser Heatsink
- Fiber coupling
- Customised interface cable
- RS-232 communication cable
- Adaptor plate for compliance with 01-03 version

## Laser Head Dimensions



Full specifications can be found in the manual.  
Subject to change without notice. Rev 0509.

Class 3B (IEC60825-1), IEC60950-1, UL 60950-1



Cobolt AB  
Vretenvägen 13  
SE-171 54 Solna, Sweden

www.cobolt.se

Switchboard +46 8 545 91 230  
Fax +46 8 545 91 231

info@cobolt.se